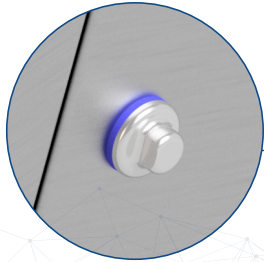
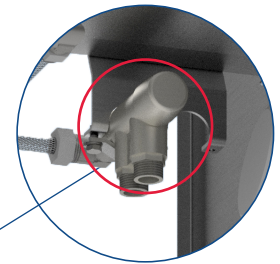




Drawer with all-round edging for greater stability and tightness



Drawer with Hygiene sash lock SW13



Easily accessible thermal mixing valve

Name: PHT-Cleaning Basin Wash&Dry Type 33210
Article number: HI01-00010-TLRA00

Illustrations may vary. Technical changes and errors excepted.

PHT-Hand cleaning basins- and troughs Wash&Dry developed for your hygiene safety ...

- Reduced consumption costs thanks to paperless hand drying directly at the washing station
- Service-friendly inspection drawer
- Easy access via 2 sash locks
- Minimal germ contamination thanks to H13-classified HEPA filter safely installed in the housing

Equipment features:

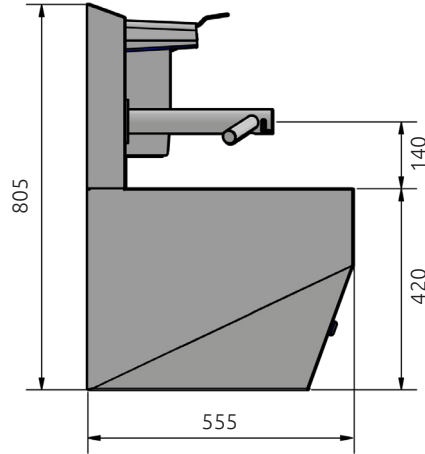
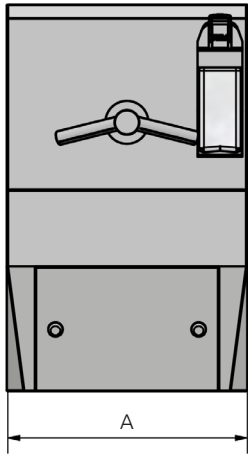
- depending on version with 1-3 Dyson AIRBLADE Taps
- Evolution stainless steel soap dispenser on rear wall of basin
- Generously dimensioned, hygiene-optimised basin and drawer body (no water carry-over)
- Cost/consumption reduction thanks to water-saving aerator (4.5 litres at 3 bar/min)
- Thermal mixing valve, can be used for thermal disinfection up to 70°, incl. backflow preventer
- Automatic hygiene flush, 24 hours after last operation
- Wall mounting rail (easy to install)

(Water inlet, siphon, sealing and fastening material not included)

Technical data	Type 33210	Type 33220	Type 33230
Washing areas	1	2	3
Dimensions (T x B x H)	555 x 500 x 805 mm	555 x 1200 x 805 mm	555 x 1800 x 805 mm
Weight	ca. 20kg	ca. 50 kg	ca. 70 kg
Material	Stainless steel 1.4301	Stainless steel 1.4301	Stainless steel 1.4301
Power connection	230 V (1/N/PE), 50-60 Hz / 1,0 kW	230 V (1/N/PE), 50-60 Hz / 2,0 kW	230 V (1/N/PE), 50-60 Hz / 3,0 kW
Pipe pressure	min. 3 bar, max. 8 bar	min. 3 bar, max. 8 bar	min. 3 bar, max. 8 bar
Protection class	IP 35	IP 35	IP 35
Water disposal connection	R 1 1/2"	R 1 1/2"	R 1 1/2"
Media connections:			
1/2" a hot water	max. +70 °C, 3-8 bar	max. +70 °C, 3-8 bar	max. +70 °C, 3-8 bar
1/2" a cold water	3-8 bar	3-8 bar	3-8 bar



Connection drawing | Type 33210:



Type designation	Width, Measure A
Type 33210	500
Type 33220	1200
Type 33230	1800

Measures in mm

Options:

- Media supply from above
- Pedestals with and without internal pipework
- Instantaneous water heater can be integrated into the basin and channel body

Further versions:



Name: PHT-Hand cleaning trough Wash&Dry Type 33220
Article number: HI01-00011-TL1A00

Name: PHT-Hand cleaning trough Wash&Dry Type 33230
Article number: HI01-00012-TL2A00

*Illustrations may vary.
Technical changes and errors excepted.*

Revisionsstand V 2.1 | 05.2024